

1. PRODUCT SUMMARY

The Universal Mounting Plate, tape and pushpins allow for easy mounting of hardware and fiber accessories in the P2100, P3000, P4200, and P6300 Primex Verge Media Distribution Enclosures.

The durable ABS plate snaps into place quickly and securely with a low profile footprint.

2. PRODUCT DIMENSIONS

H: 13.7" / W: 10" / D: 0.3"

3. FEATURES & BENEFITS

Mounting System

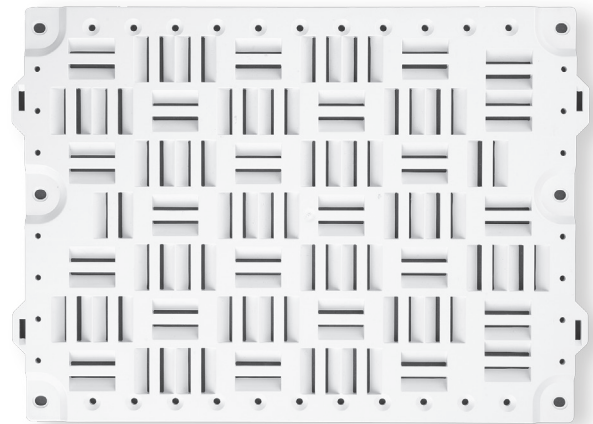
- Offers an array of mounting options for hardware components such as modems and fiber management accessories.
- Fits Primex Media Distribution Enclosures for structured wiring models: P2100, P3000, P4200, P6300.
- Lightweight and easy to install with two-piece snap in pushpins: base and pin.
- Durable ABS plastic.

Mounting Tape (33' roll)

- Easily affixes to plate, components and enclosures in seconds, securely keeping components in place.
- Durable and lightweight for cable and fiber management.

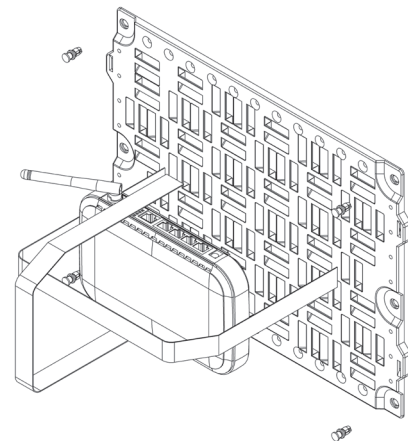
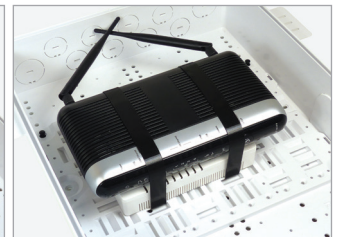
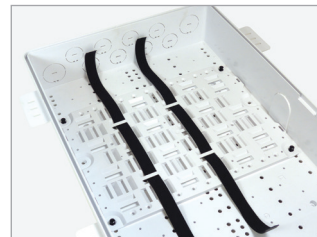
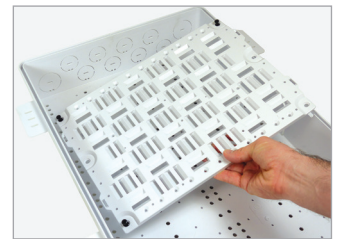
4. CONFIGURATIONS

| Part # | SC | Description |
|--------|----------|---------------------------|
| UMP01 | 125-0770 | White ABS mounting plate |
| MPT | 125-0779 | 33' roll of mounting tape |
| 10153 | 125-0829 | Mounting plate pushpins |



UNIVERSAL MOUNTING PLATE (UMP)

The UMP combined with mounting tape offers versatile mounting options for telecom components.



FOR MORE INFORMATION CONTACT:

20160 92A Avenue Langley BC V1M 3A4 Canada
 1.604.881.7875 1.877.881.7875 primexfits.com