

1. PRODUCT SUMMARY

The Primex Fiber Transition Outlet (FTO) is a quick-splice solution that manages up to 3' of fiber drop cable.

This scalable, adaptable enclosure offers flexible entry ports, two fusion splice holders, and room for two fiber adapters with buffer tube management.

2. PRODUCT DIMENSIONS

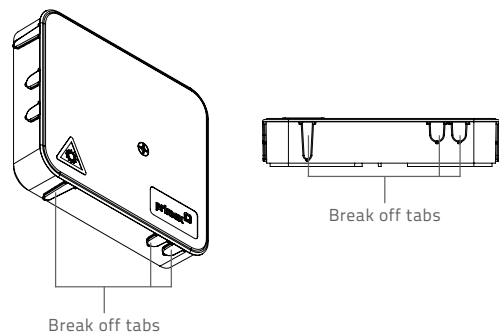
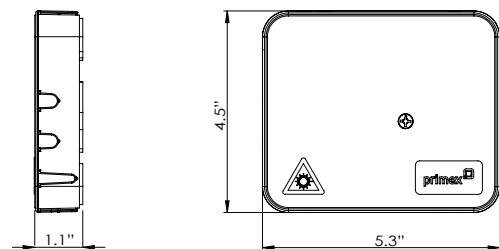
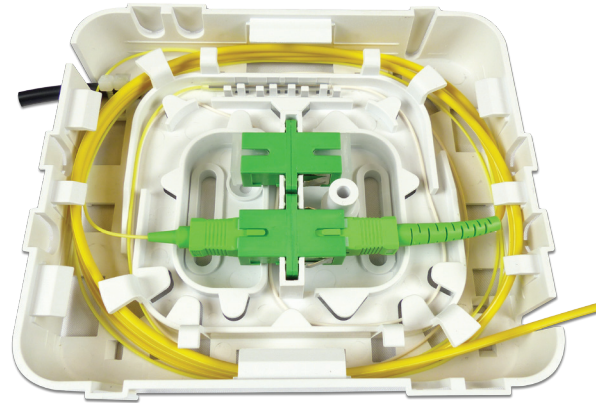
Inside H: 4.5"/W: 5.3"/D: 1.1"

3. FEATURES & BENEFITS

- Up to 3' of fiber drop cable management with a protective lid.
- Two fusion splice holders with buffer tube management.
- Break-off tabs allow optional entry and exit ports.
- Stackable for large fiber counts.
- Optional fiber adapters stored internally for added protection.
- Can be used as an optical wall outlet.
- Available in PVC for outside or ABS for inside applications.

4. CONFIGURATIONS

Part #	Description
125-0885	White FTO w/2 SC/APC adapter
125-0889	White FTO w/1 SC/APC adapter
125-0879	White FTO w/integrated splice tray



FOR MORE INFORMATION CONTACT:

20160 92A Avenue Langley BC V1M 3A4 Canada
 1.604.881.7875 1.877.881.7875 primexfits.com