

# PRIMEX

## Product Specification Sheet

PRODUCT  
MODEL CODE

# P1000MFSS

FTTx Slack Storage OSP Enclosure

### 1. SUMMARY

The Primex Wave P1000MFSS is a mid-size one or two fiber outside plant enclosure ideal for slack storage within FTTH Single Family Unit (SFU) or small business applications.

It offers secure fiber management including ample space for bend-protected slack storage.

Available with dual snap locks and an override lock or hex bolt.

### 2. DIMENSIONS

Inside: H 10.2"/W 8.7"/D 2.1"

Outside: H 13.5"/W 11.2"/D 3"

### 3. FEATURES & BENEFITS

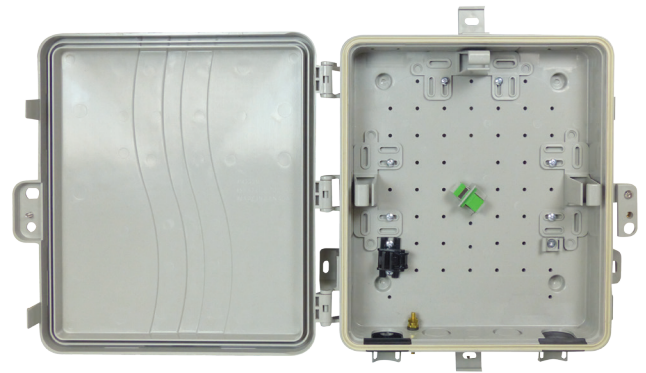
- Compact and low profile design provides simple bend-protected storage for several feet of fiber slack.
- Primex Hurricane Clips, Strain Relief Lug and cradles for secure, robust fiber slack storage management.
- Snap lock and hex bolt or override lock provides secure service provider access 24/7.
- High quality UV-protected PVC made in North America for long-lasting fiber protection in demanding weather conditions.
- Two robust half-inch ports with rubber grommets for protected fiber entry and exit.
- External wall and pole mounting brackets that eliminate the need to drill through the box and allow for quick and easy deployment.
- UL-listed and industry-standardized for easy implementation.

### 4. APPLICATIONS

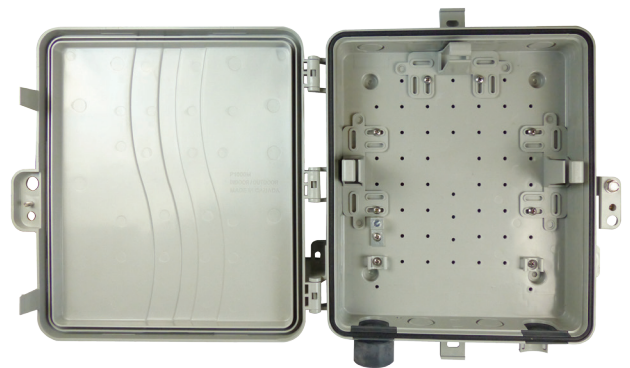
- FTTH for single family units
- FTTB for small businesses



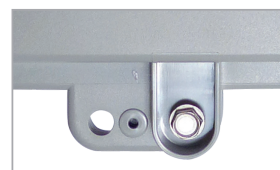
Low profile P1000M



125-1238: 1 SC/APC simplex adapter, override lock, gasket, 3 Hurricane Clips, Strain Relief System, PVC



125-1056: hex bolt, gasket, 3 Hurricane Clips, PVC



Hex bolt: 125-1056



Override: 125-1238



FOR MORE INFORMATION CONTACT:

1.604.881.7875 1.604.881.7835

[www.primex.com](http://www.primex.com)



**primex**  Fit everything. Together.

5. CONFIGURATIONS

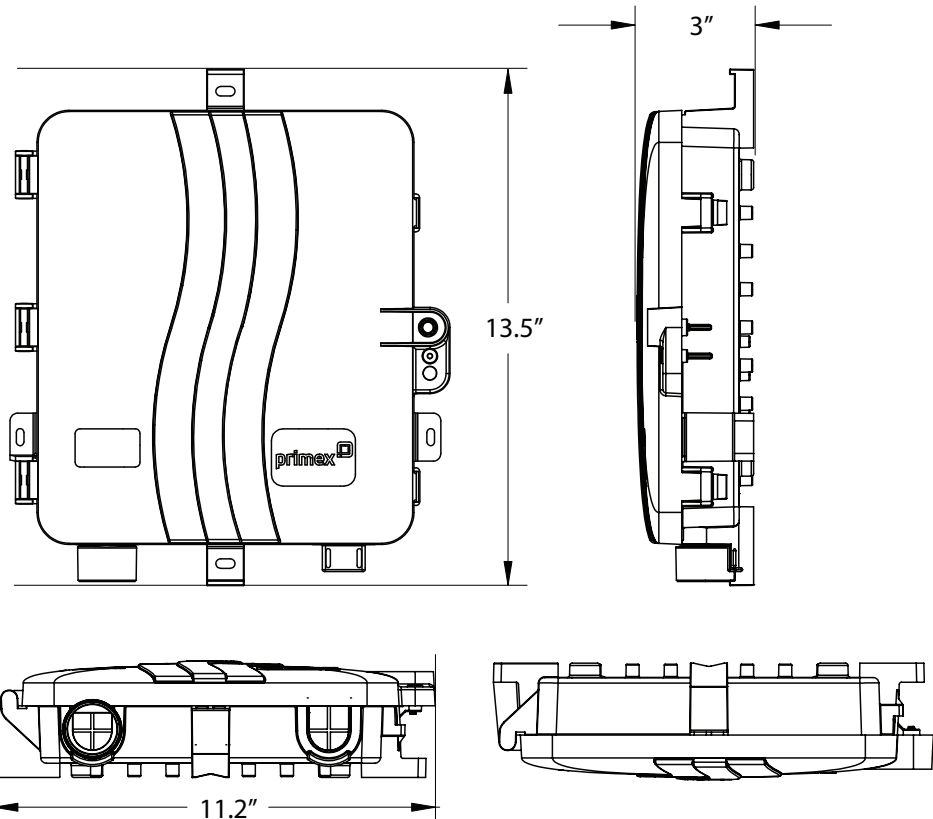
MODELS		
PART NUMBER	PART NAME	DESCRIPTION
125-1238	P1000MFSS-OG15A	P1000M, w/1 SC/APC simplex adapter, override lock, gasket, 3 Hurricane Clips, Strain Relief System, PVC
125-1056	P1000MFSS-HG	P1000M, w/hex bolt, gasket, 3 Hurricane Clips, PVC

6. TECHNICAL DRAWINGS

DIMENSIONS

All dimensions are external unless indicated otherwise.

Size may vary depending upon model.



FOR MORE INFORMATION CONTACT:

1.604.881.7875 1.604.881.7835

[www.primex.com](http://www.primex.com)

