

# PRIMEX

## Product Specification Sheet

PRODUCT  
MODEL CODE

# P1500SFE

FTTx Scalable Flexible OSP Enclosure

### 1. SUMMARY

The Primex Wave P1500SFE is a large outside plant enclosure that can house up to 48 fibers and is ideal for Multi Dwelling Unit (MDU) applications.

This enclosure features the industry-standard hole mounting pattern for complete customization with accessories. It is scalable to the customer's needs for a wide range of big or small applications.

Available with a hex bolt, override lock or F81 lock.

### 2. DIMENSIONS

Inside: H 13.9" / W 10.2" / D 3.2"

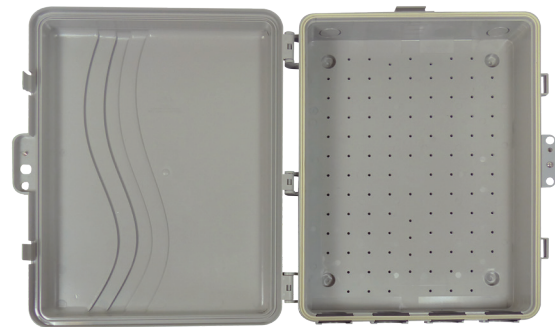
Outside: H 16.3" / W 14.2" / D 4.1"

### 3. FEATURES & BENEFITS

- Large blank internal cavity allows for customized configuration of accessories and components with standardized mounting hole pattern.
- Snap locks and available locking override, hex bolt or F81 lock provides secure service provider access 24/7.
- High quality UV-protected PVC made in North America for long-lasting fiber protection in demanding weather conditions.
- Four robust half-inch ports with rubber grommets for protected fiber entry and exit.
- External wall and pole mounting brackets that eliminate the need to drill through the box and allow for quick and easy deployment.
- UL-listed and industry-standardized for easy implementation.

### 4. APPLICATIONS

- FTTH for multi family units
- FTTB for small businesses



125-1467: Blank w/override lock, PVC



Hex bolt: 125-1459



Override: 125-1467



F81: 125-1466



### FOR MORE INFORMATION CONTACT:

1.604.881.7875 1.604.881.7835

[www.primex.com](http://www.primex.com)     

**primex**  **Fit everything. Together.**

5. CONFIGURATIONS

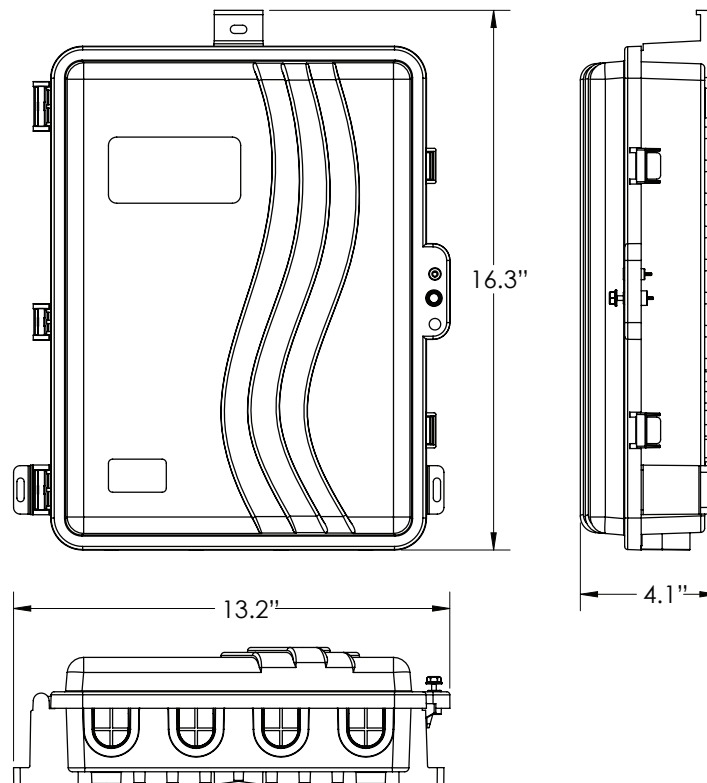
MODELS		
PART NUMBER	PART NAME	DESCRIPTION
125-1467	P1500SFE-OG	P1500SFE, blank, w/override lock, PVC
125-1466	P1500SFE-FG	P1500SFE, blank, w/F81 lock, PVC
125-1459	P1500SFE-HG	P1500SFE, blank, hex bolt, PVC

6. TECHNICAL DRAWINGS

DIMENSIONS

All dimensions are external unless indicated otherwise.

Size may vary depending upon model.



FOR MORE INFORMATION CONTACT:

1.604.881.7875 1.604.881.7835

[www.primex.com](http://www.primex.com)

