

PRIMEX

Product Specification Sheet

PRODUCT
MODEL CODE

P250FSC

FTTx Splice/Connect OSP Enclosure

1. SUMMARY

The Primex Wave P250FSC is a compact one or two fiber outside plant enclosure ideal for single family unit (SFU) or small business applications.

The internal Fiber Transition Outlet (FTO) offers secure fiber splice management that protects the fiber bend radius.

Available with a hex bolt or override lock.

2. DIMENSIONS

Inside: H 4.7"/W 6.4"/D 2.4"

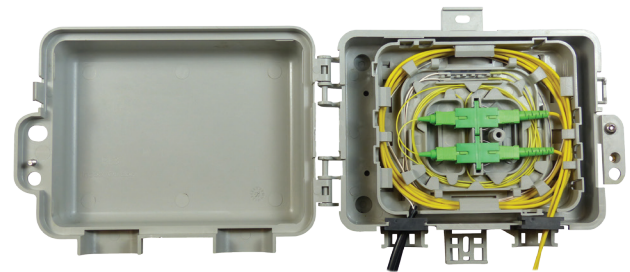
Outside: H 6.8"/W 7.9"/D 2.9"

3. FEATURES & BENEFITS

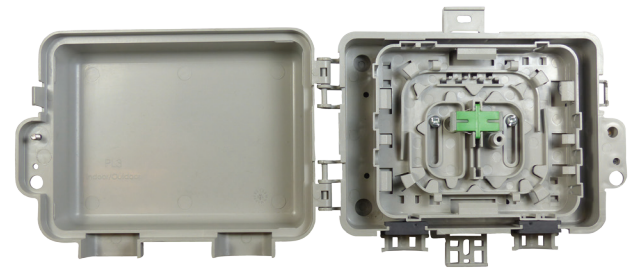
- Compact and low profile design provides simple fiber transition point for SFU or small business applications and slack storage.
- Integrated Fiber Transition Outlet (FTO) tray for splicing, storing and connecting one or two fibers.
- Snap lock and available locking override or hex bolt provides secure service provider access 24/7.
- High quality UV-protected PVC made in North America for long-lasting fiber protection in demanding weather conditions.
- Two robust half-inch ports with rubber grommets for protected fiber entry and exit.
- External wall and pole mounting brackets that eliminate the need to drill through the box and allow for quick and easy deployment.
- UL-listed and industry-standardized for easy implementation.

4. APPLICATIONS

- FTTH for single family units
- FTTB for small businesses



125-1009: FTO, 2 SC/APC adapters, override lock (Fiber not included)



125-0943: FTO, 1 SC/APC adapter, hex bolt



Hex bolt: 125-0943, 125-0944



Override: 125-1008, 125-1009



FOR MORE INFORMATION CONTACT:

📞 1.604.881.7875 📠 1.604.881.7835

www.primex.com    

primex  **Fit everything. Together.**

5. CONFIGURATIONS

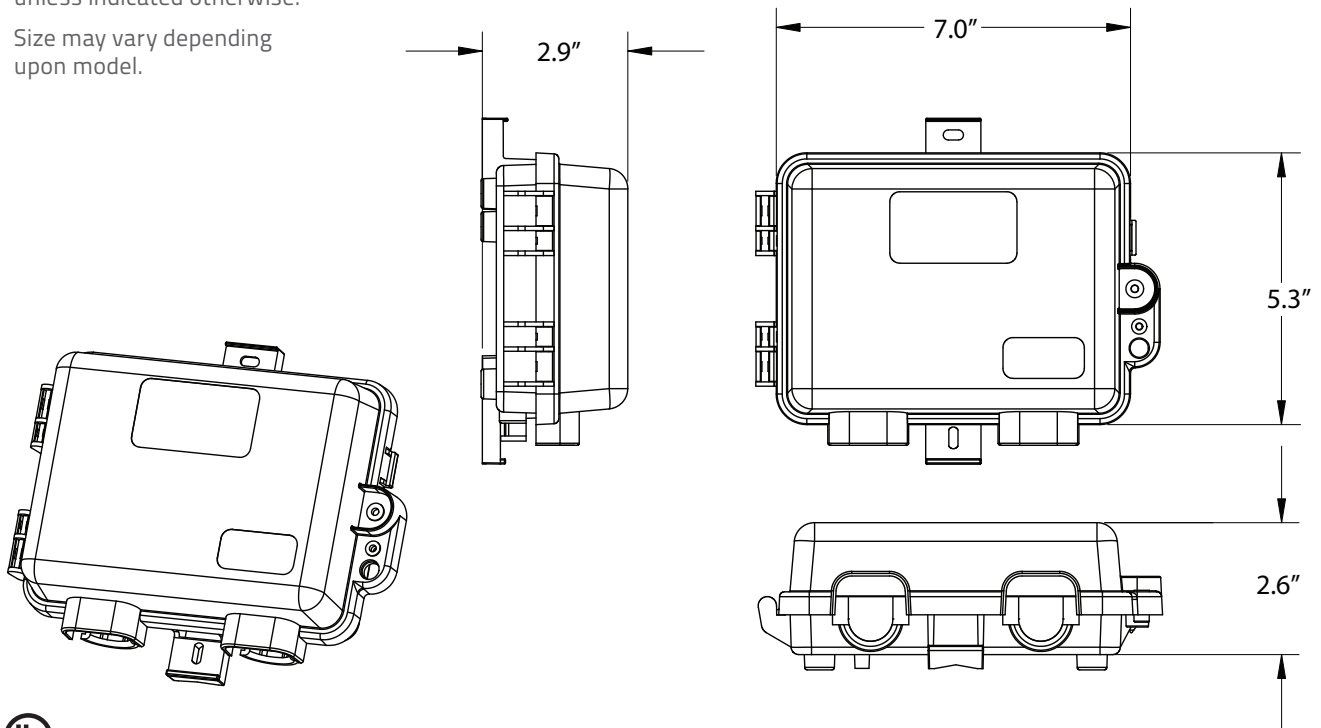
MODELS		
PART NUMBER	PART NAME	DESCRIPTION
125-1008	P250FSC-O1SA	P250FSC, w/FTO, 1 SC/APC adapter, and override lock
125-1009	P250FSC-O2SA	P250FSC, w/FTO, 2 SC/APC adapters, and override lock
125-0943	P250FSC-H1SA	P250FSC, w/FTO, 1 SC/APC adapter, and hex bolt
125-0944	P250FSC-H2SA	P250FSC, w/FTO, 2 SC/APC adapters, and hex bolt

6. TECHNICAL DRAWINGS

DIMENSIONS

All dimensions are external unless indicated otherwise.

Size may vary depending upon model.



FOR MORE INFORMATION CONTACT:

☎ 1.604.881.7875 📠 1.604.881.7835

www.primex.com

