

### 1. SUMMARY

The Primex Wave P250SFE is a compact one to two fiber outside plant enclosure ideal for Single or Multi Family unit (SFU/MDU) applications.

This enclosure features the industry-standard hole mounting pattern for complete customization with accessories. It is scalable to the customer's needs for a wide range of big or small applications.

Includes snap lock and a hex bolt for secure access.

### 2. DIMENSIONS

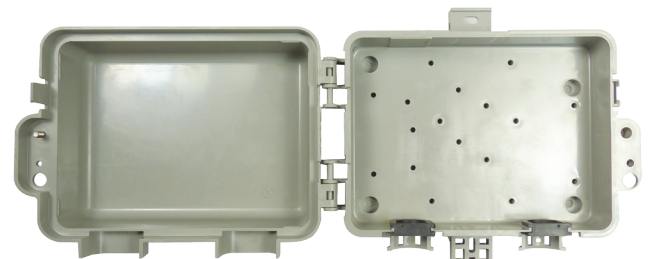
Inside: H 4.7"/W 6.4"/D 2.4"  
Outside: H 6.8"/W 7.9"/D 2.9"

### 3. FEATURES & BENEFITS

- Blank internal cavity allows for customized configuration of accessories and components.
- Snap lock and hex bolt provides secure service provider access 24/7.
- High quality UV-protected PVC made in North America for long-lasting fiber protection in demanding weather conditions.
- Two robust half-inch ports with rubber grommets for protected fiber entry and exit.
- External wall and pole mounting brackets that eliminate the need to drill through the box and allow for quick and easy deployment.
- UL-listed and industry-standardized for easy implementation.

### 4. APPLICATIONS

- FTTH for single family units
- FTTB for small businesses



125-0573: blank w/hex bolt, PVC



Hex bolt: 125-0573



FOR MORE INFORMATION CONTACT:

1.604.881.7875 1.604.881.7835

[www.primex.com](http://www.primex.com)     

**primex**  Fit everything. Together.

5. CONFIGURATIONS

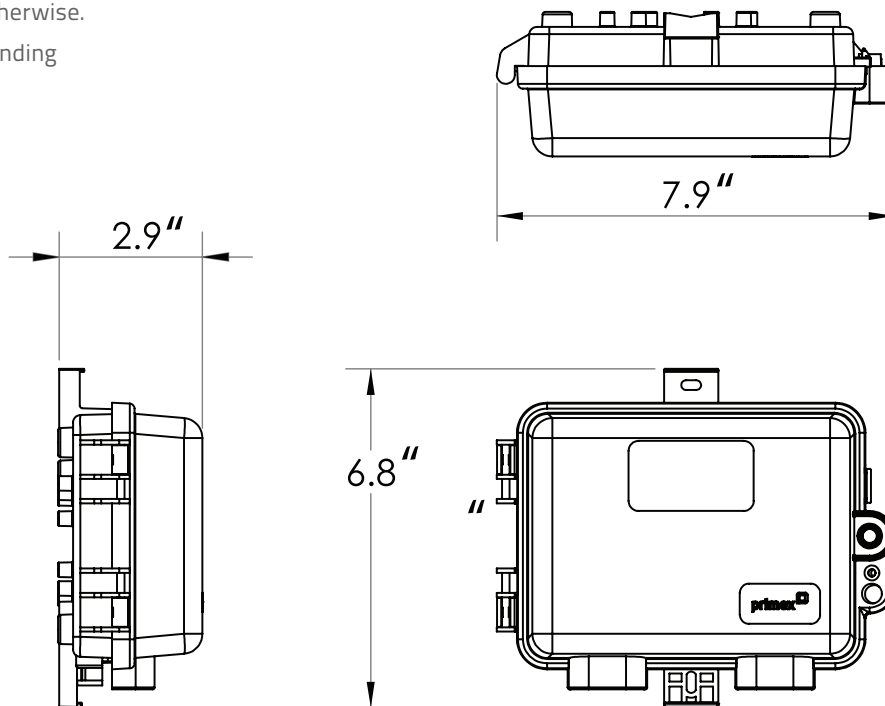
MODELS		
PART NUMBER	PART NAME	DESCRIPTION
125-0573	P250SFE-H	P250SFE, blank w/hex bolt, PVC

6. TECHNICAL DRAWINGS

DIMENSIONS

All dimensions are external unless indicated otherwise.

Size may vary depending upon model.



FOR MORE INFORMATION CONTACT:

1.604.881.7875 1.604.881.7835

[www.primex.com](http://www.primex.com)

