

PRIMEX

Product Specification Sheet

PRODUCT
MODEL CODE

P500SFE

FTTx Scalable Flexible OSP Enclosure

1. SUMMARY

The Primex Wave P500SFE is a compact one to six fiber outside plant enclosure ideal for Single or Multi Family Unit (SFU/MDU) applications.

This enclosure features the industry-standard hole mounting pattern for complete customization with accessories. It is scalable to the customer's needs for a wide range of big or small applications.

Available with a hex bolt, override lock, F81 lock or in NEMA4X.

2. DIMENSIONS

Inside: H 6.9"/W 5.3"/D 3.1"

Outside: H 10"/W 8"/D 3.9"

3. FEATURES & BENEFITS

- Blank internal cavity allows for customized configuration of accessories and components.
- Snap lock and available locking override, F81 or hex bolt provides secure service provider access 24/7.
- High quality UV-protected PVC made in North America for long-lasting fiber protection in demanding weather conditions.
- Two robust half-inch ports with rubber grommets for protected fiber entry and exit*.
- Available NEMA4X for sealed, weatherized applications.
- External wall and pole mounting brackets that eliminate the need to drill through the box and allow for quick and easy deployment*.
- UL-listed and industry-standardized for easy implementation.

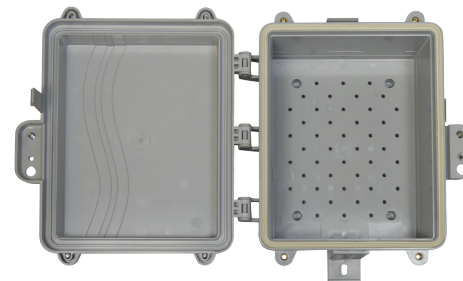
*Non-NEMA4X

4. APPLICATIONS

- FTTH for single and multi family units
- FTTB for small businesses



125-0682: Blank w/override lock, PVC



125-0659: Blank w/NEMA4X, PVC



Hex bolt: 125-0684



Override: 125-0682



F81: 125-0763,
125-0685



FOR MORE INFORMATION CONTACT:

1.604.881.7875 1.604.881.7835

www.primex.com

primex Fit everything. Together.

5. CONFIGURATIONS

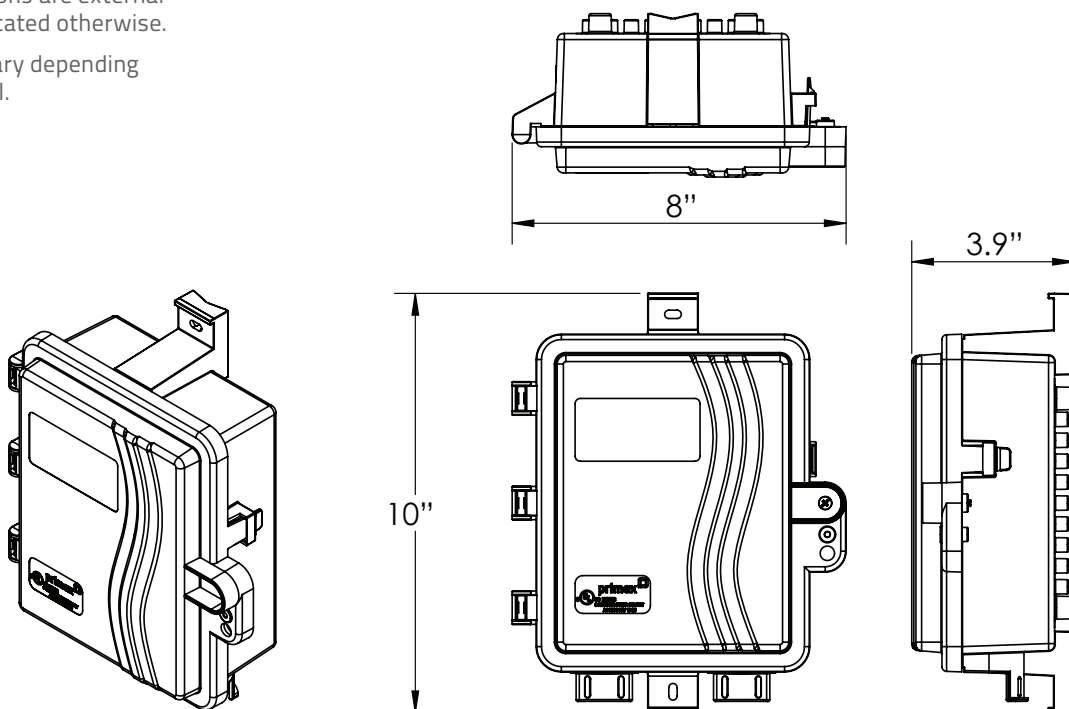
MODELS		
PART NUMBER	PART NAME	DESCRIPTION
125-0659	P500SFE-N	P500SFE, blank, w/NEMA4X, PVC
125-0682	P500SFE-OG	P500SFE, blank, w/override lock, gasket, PVC
125-0684	P500SFE-HG	P500SFE, blank, w/hex bolt, gasket, PVC
125-0685	P500SFE-FG	P500SFE, blank, w/F81 lock, gasket, PVC
125-0763	P500SFE-F	P500SFE, blank, w/F81 lock, PVC

6. TECHNICAL DRAWINGS

DIMENSIONS

All dimensions are external unless indicated otherwise.

Size may vary depending upon model.



FOR MORE INFORMATION CONTACT:

1.604.881.7875 1.604.881.7835

www.primex.com