

PRIMEX

Product Specification Sheet

PRODUCT
MODEL CODE

P750SFE

FTTx Scalable Flexible OSP Enclosure

1. SUMMARY

The Primex Wave P750SFE is a compact one to six fiber outside plant enclosure ideal for Single or Multi Family Unit (SFU/MDU) applications.

This enclosure features the industry-standard hole mounting pattern for complete customization with accessories. It is scalable to the customer's needs for a wide range of big or small applications.

Available with an override lock, F81 lock or NEMA4X.

2. DIMENSIONS

Inside: H 8.9"/W 5.9"/D 3.1"

Outside: H 12.2"/W 8.6"/D 3.9"

3. FEATURES & BENEFITS

- Blank internal cavity allows for customized configuration of accessories and components.
- Snap locks and available locking override or F81 lock provides secure service provider access 24/7.
- High quality UV-protected PVC made in North America for long-lasting fiber protection in demanding weather conditions.
- Two robust half-inch ports with rubber grommets for protected fiber entry and exit*.
- Available NEMA4X for sealed, weatherized applications.
- External wall and pole mounting brackets that eliminate the need to drill through the box and allow for quick and easy deployment*.
- UL-listed and industry-standardized for easy implementation.

*Non-NEMA4X

4. APPLICATIONS

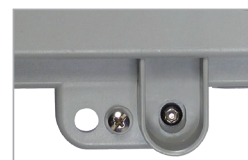
- FTTH for single and multi family units
- FTTB for small businesses



125-0694: Blank, w/F81 lock, gasket, PVC



125-0790: Blank, w/override lock, PVC



Override: 125-0681, 125-0790



F81: 125-0694, 125-0832



FOR MORE INFORMATION CONTACT:

1.604.881.7875 1.604.881.7835

www.primex.com    

primex  Fit everything. Together.

5. CONFIGURATIONS

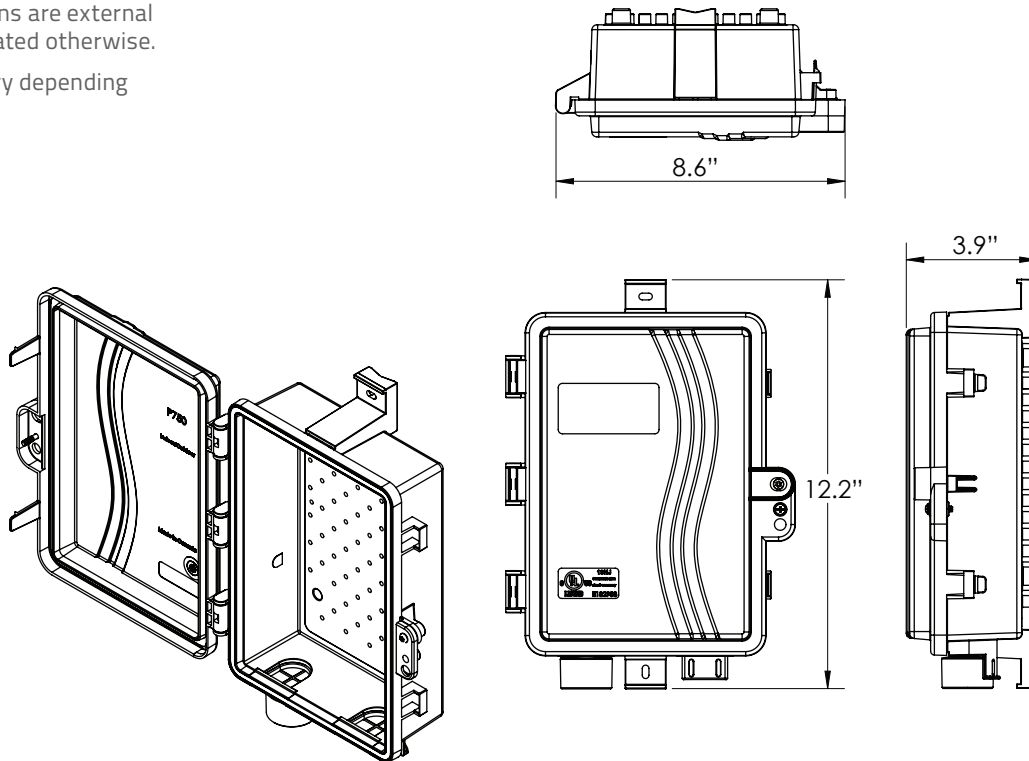
MODELS		
PART NUMBER	PART NAME	DESCRIPTION
125-0660	P750SFE-N	P750SFE, blank, w/NEMA4X, PVC
125-0681	P750SFE-OG	P750SFE, blank, w/override lock, gasket, PVC
125-0694	P750SFE-FG	P750SFE, blank, w/F81 lock, gasket, PVC
125-0790	P750SFE-O	P750SFE, blank, w/override lock, PVC
125-0832	P750SFE-F	P750SFE, blank, w/F81 lock, PVC

6. TECHNICAL DRAWINGS

DIMENSIONS

All dimensions are external unless indicated otherwise.

Size may vary depending upon model.



FOR MORE INFORMATION CONTACT:

1.604.881.7875 1.604.881.7835

www.primex.com

