

PRIMEX

Product Specification Sheet

PRODUCT
MODEL CODE

P2000SFE

FTTx Scalable Flexible OSP Enclosure

1. SUMMARY

The Primex Wave P2000SFE is a large multi fiber outside plant enclosure ideal for Multi Dwelling Unit (MDU) applications.

This enclosure features the industry-standard hole mounting pattern for complete customization with accessories. It is scalable to the customer's needs for a wide range of big or small applications.

Available with a hex bolt or override lock, or in NEMA4X.

2. DIMENSIONS

Inside: H 20"/W 14"/D 5.5"

Outside: H 21.3"/W 16.9"/D 5.9"

3. FEATURES & BENEFITS

- Large blank internal cavity allows for customized configuration of accessories and components with standardized mounting hole pattern.
- Snap locks and available locking override, hex bolt or F81 lock provides secure service provider access 24/7.
- High quality UV-protected PVC made in North America for long-lasting fiber protection in demanding weather conditions.
- Six robust half-inch ports with rubber grommets for protected fiber entry and exit.
- External wall and pole mounting brackets that eliminate the need to drill through the box and allow for quick and easy deployment.
- UL-listed and industry-standardized for easy implementation.

4. APPLICATIONS

- FTTH for multi family units
- FTTB for small businesses



125-0623: Blank, w/NEMA4X, PVC



125-1187: Blank, w/hex bolt, PVC



Hex bolt: 125-1187



Override: 125-1376



FOR MORE INFORMATION CONTACT:

📞 1.604.881.7875 📠 1.604.881.7835

www.primex.com



primex  Fit everything. Together.

5. CONFIGURATIONS

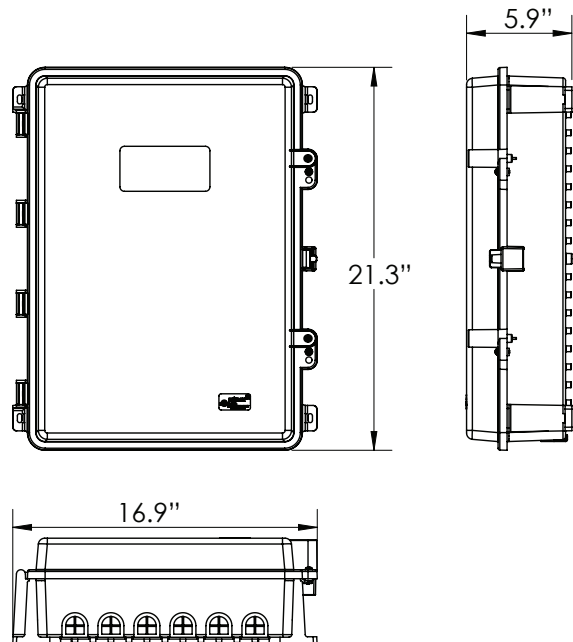
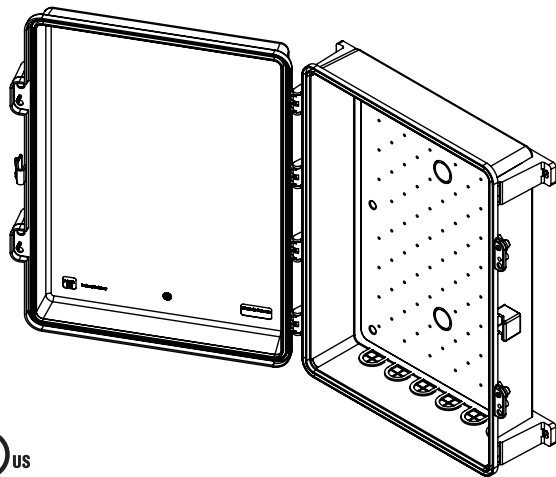
MODELS		
PART NUMBER	PART NAME	DESCRIPTION
125-0623	P2000SFE-N	P2000SFE, blank, with NEMA4X, PVC
125-1376	P2000SFE-O	P2000SFE, blank, w/override lock
125-1187	P2000SFE-H	P2000SFE, blank, w/hex bolt

6. TECHNICAL DRAWINGS

DIMENSIONS

All dimensions are external unless indicated otherwise.

Size may vary depending upon model.



FOR MORE INFORMATION CONTACT:

1.604.881.7875 1.604.881.7835

www.primex.com

