

PRIMEX

Product Specification Sheet

PRODUCT
MODEL CODE

P250FCC

FTTx Cross-Connect OSP Enclosure

1. SUMMARY

The Primex Wave P250FCC is a compact one to two fiber cross connect enclosure ideal for FTTH Single Family Unit (SFU) or small business applications.

It offers quick and secure fiber connection and management with the included fiber adapters and bend-protected slack storage.

Available with a hex bolt or override lock.

2. DIMENSIONS

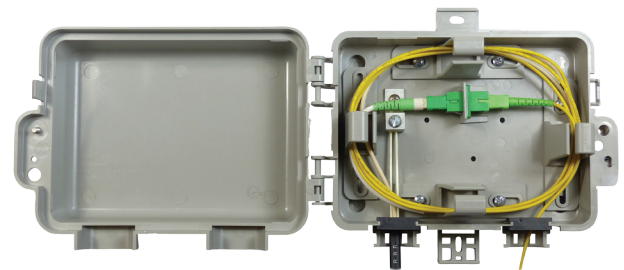
Inside: H 4.7"/W 6.4"/D 2.4"
Outside: H 6.8"/W 7.9"/D 2.9"

3. FEATURES & BENEFITS

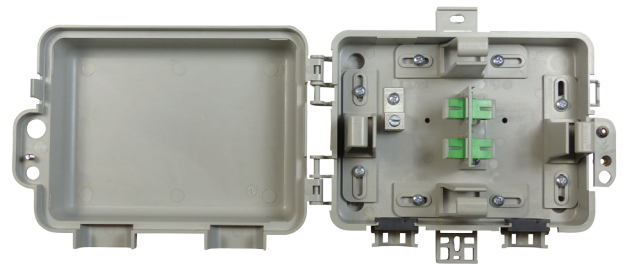
- Compact design with included SC/APC fiber adapters provides simple transition point for one or two fiber applications.
- Primex Hurricane Clips and Strain Relief Lug offer secure, robust fiber management.
- Snap lock and hex bolt or override lock provides secure service provider access 24/7.
- High quality UV-protected PVC made in North America for long-lasting fiber protection in demanding weather conditions.
- Two robust half-inch ports with rubber grommets for protected fiber entry and exit.
- External wall and pole mounting brackets that eliminate the need to drill through the box and allow for quick and easy deployment.
- UL-listed and industry-standardized for easy implementation.

4. APPLICATIONS

- FTTH for single family units
- FTTB for small businesses



125-1039: 4 Hurricane Clips, 1 grounding lug, 1 SC/APC adapter, and hex bolt (Fiber not included)



125-1253: 4 Hurricane Clips, 1 grounding lug, 2 SC/APC adapters, and override lock



Hex bolt: 125-1039, 125-1254



Override: 125-1253, 125-1239



FOR MORE INFORMATION CONTACT:

1.604.881.7875 1.604.881.7835

www.primex.com     

primex  Fit everything. Together.

5. CONFIGURATIONS

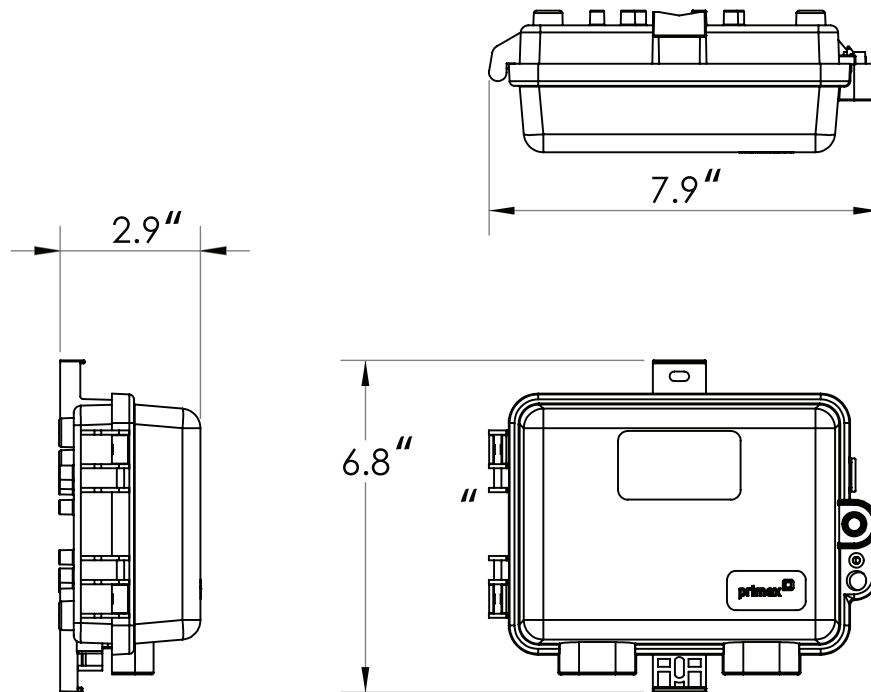
MODELS		
PART NUMBER	PART NAME	DESCRIPTION
125-1039	P250FCC-H1SA	P250FCC, w/4 Hurricane Clips, 1 grounding lug, 1 SC/APC adapter, hex bolt, PVC
125-1254	P250FCC-H2SA	P250FCC, w/4 Hurricane Clips, 1 grounding lug, 2 SC/APC adapters, hex bolt, PVC
125-1239	P250FCC-O1SA	P250FCC, w/4 Hurricane Clips, 1 grounding lug, 1 SC/APC adapter, override lock, PVC
125-1253	P250FCC-O2SA	P250FCC, w/4 Hurricane Clips, 1 grounding lug, 2 SC/APC adapters, override lock, PVC

6. TECHNICAL DRAWINGS

DIMENSIONS

All dimensions are external unless indicated otherwise.

Size may vary depending upon model.



FOR MORE INFORMATION CONTACT:

1.604.881.7875 1.604.881.7835

www.primex.com

