

PRIMEX

Product Specification Sheet

PRODUCT
MODEL CODE

P500FCC

FTTx Cross-Connect OSP Enclosure

1. SUMMARY

The Primex Wave P500FCC is a compact one to two fiber cross connect enclosure ideal for FTTH Single Family Unit (SFU) or small business applications.

It offers quick and secure fiber connection and management with the included fiber adapters and bend-protected slack storage.

Available with a hex bolt or override lock.

2. DIMENSIONS

Inside: H 6.8"/W 5.3"/D 3.1"
Outside: H 10"/W 8"/D 3.9"

3. FEATURES & BENEFITS

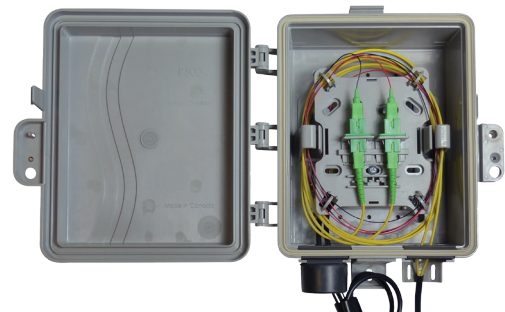
- Compact design with included SC/APC fiber adapters and optional floating tray provides simple transition point for one or two fiber applications.
- Primex Hurricane Clips and Strain Relief Lug offer secure, robust fiber management.
- Snap lock and hex bolt or override lock provides secure service provider access 24/7.
- High quality UV-protected PVC made in North America for long-lasting fiber protection in demanding weather conditions.
- Two robust one-inch ports with rubber grommets for protected fiber entry and exit.
- External wall and pole mounting brackets that eliminate the need to drill through the box and allow for quick and easy deployment.
- UL-listed and industry-standardized for easy implementation.

4. APPLICATIONS

- FTTH for single family units
- FTTB for small businesses



125-0794: 1 SC/APC duplex adapter, override lock, gasket, PVC



125-1346: floating tray, 2 SC/APC simplex adapter, hex bolt, gasket, PVC



Hex bolt: 125-1346



Override: 125-0794



FOR MORE INFORMATION CONTACT:

1.604.881.7875 1.604.881.7835

www.primex.com

primex Fit everything. Together.

5. CONFIGURATIONS

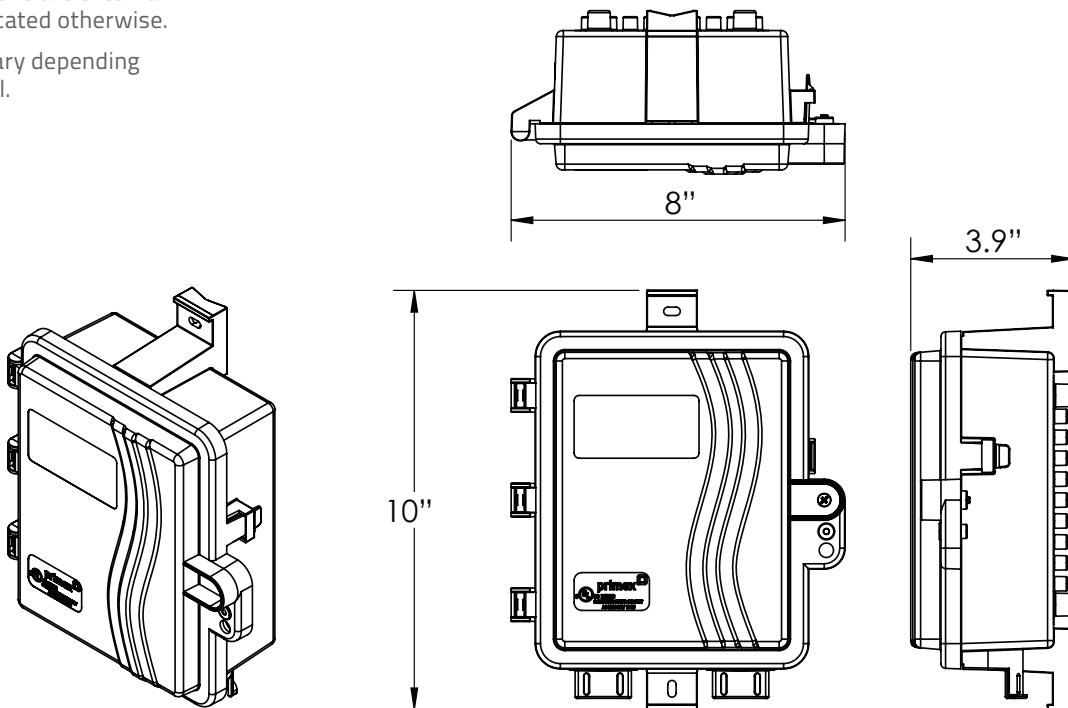
MODELS		
PART NUMBER	PART NAME	DESCRIPTION
125-0794	P500FCC-OG2SA	P500FCC, w/1 SC/APC duplex adapter, override lock, gasket, PVC
125-1346	P500FCC-HG2SA	P500FCC, w/floating tray, 2 SC/APC simplex adapter, hex bolt, gasket, PVC

6. TECHNICAL DRAWINGS

DIMENSIONS

All dimensions are external unless indicated otherwise.

Size may vary depending upon model.



FOR MORE INFORMATION CONTACT:

1.604.881.7875 1.604.881.7835

www.primex.com