

PRIMEX

Product Specification Sheet

PRODUCT
MODEL CODE

P750FCC

FTTx Cross-Connect OSP Enclosure

1. SUMMARY

The Primex Wave P750FCC is a compact one to six fiber cross connect enclosure ideal for FTTH Single or Multi Family Unit (SFU/MDU) or small business applications.

It offers quick and secure fiber connection and management with the included fiber adapters and bend-protected slack storage.

Includes snap lock and hex bolt for secure access.

2. DIMENSIONS

Inside: H 8.9"/W 5.9"/D 3.1"

Outside: H 12.2"/W 8.6"/D 3.9"

3. FEATURES & BENEFITS

- Compact design with included SC/APC fiber adapters provides simple transition point for one to six fiber applications.
- Primex Hurricane Clips and Strain Relief Lug offer secure, robust fiber management.
- Snap lock and hex bolt provides secure service provider access 24/7.
- High quality UV-protected PVC made in North America for long-lasting fiber protection in demanding weather conditions.
- Two robust one-inch ports with rubber grommets for protected fiber entry and exit.
- External wall and pole mounting brackets that eliminate the need to drill through the box and allow for quick and easy deployment.
- UL-listed and industry-standardized for easy implementation.

4. APPLICATIONS

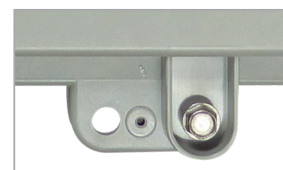
- FTTH for single or multi family units
- FTTB for small businesses



125-1299: w/2 SC/APC simplex adapters, hex bolt, 1 rear entry/2 flat grommets, gasket, PVC



125-1084: w/1 SC/APC simplex adapter, hex bolt, 1 rear entry/2 flat grommets, PVC



Hex bolt: 125-1408



FOR MORE INFORMATION CONTACT:

📞 1.604.881.7875 📠 1.604.881.7835

www.primex.com



primex  Fit everything. Together.

5. CONFIGURATIONS

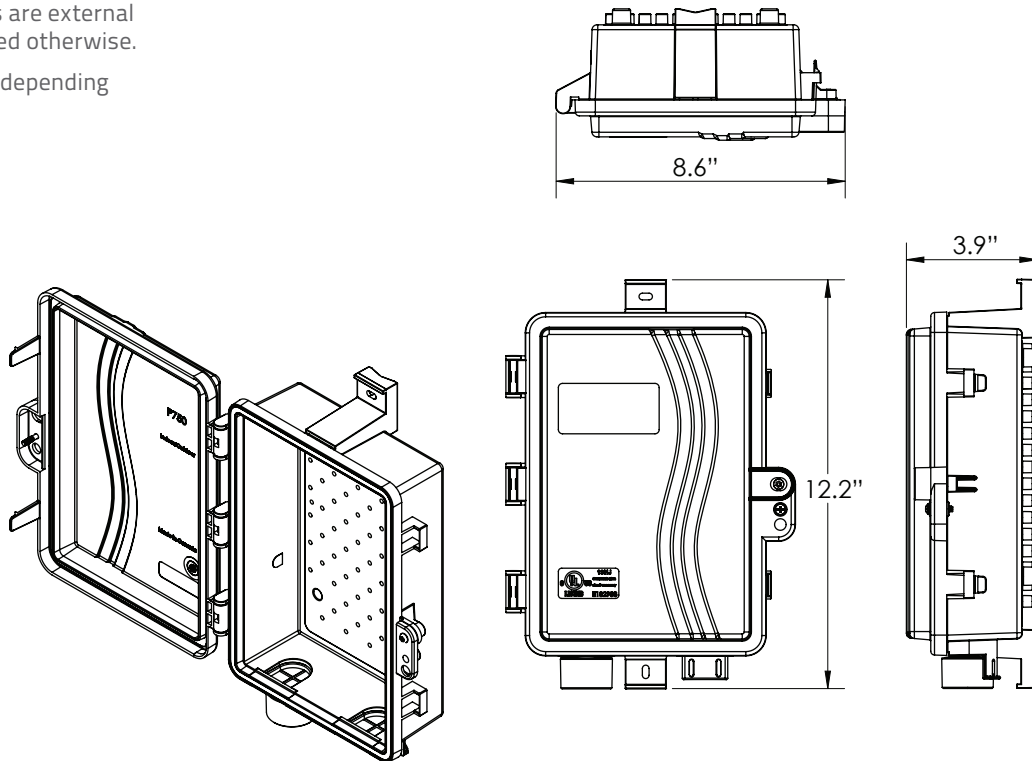
MODELS		
PART NUMBER	PART NAME	DESCRIPTION
125-1408	P750FCC-HG6SU	P750FCC, w/6 SC/UPC simplex adapters, hex bolt, 1 rear entry grommet, gasket, PVC
125-1084	P750FCC-H1SA	P750FCC, w/1 SC/APC simplex adapter, hex bolt, 1 rear entry/2 flat grommets, PVC
125-1299	P750FCC-HG2SA	P750FCC, w/2 SC/APC simplex adapters, hex bolt, 1 rear entry/2 flat grommets, gasket, PVC

6. TECHNICAL DRAWINGS

DIMENSIONS

All dimensions are external unless indicated otherwise.

Size may vary depending upon model.



FOR MORE INFORMATION CONTACT:

1.604.881.7875 1.604.881.7835

www.primex.com